

4

3

2

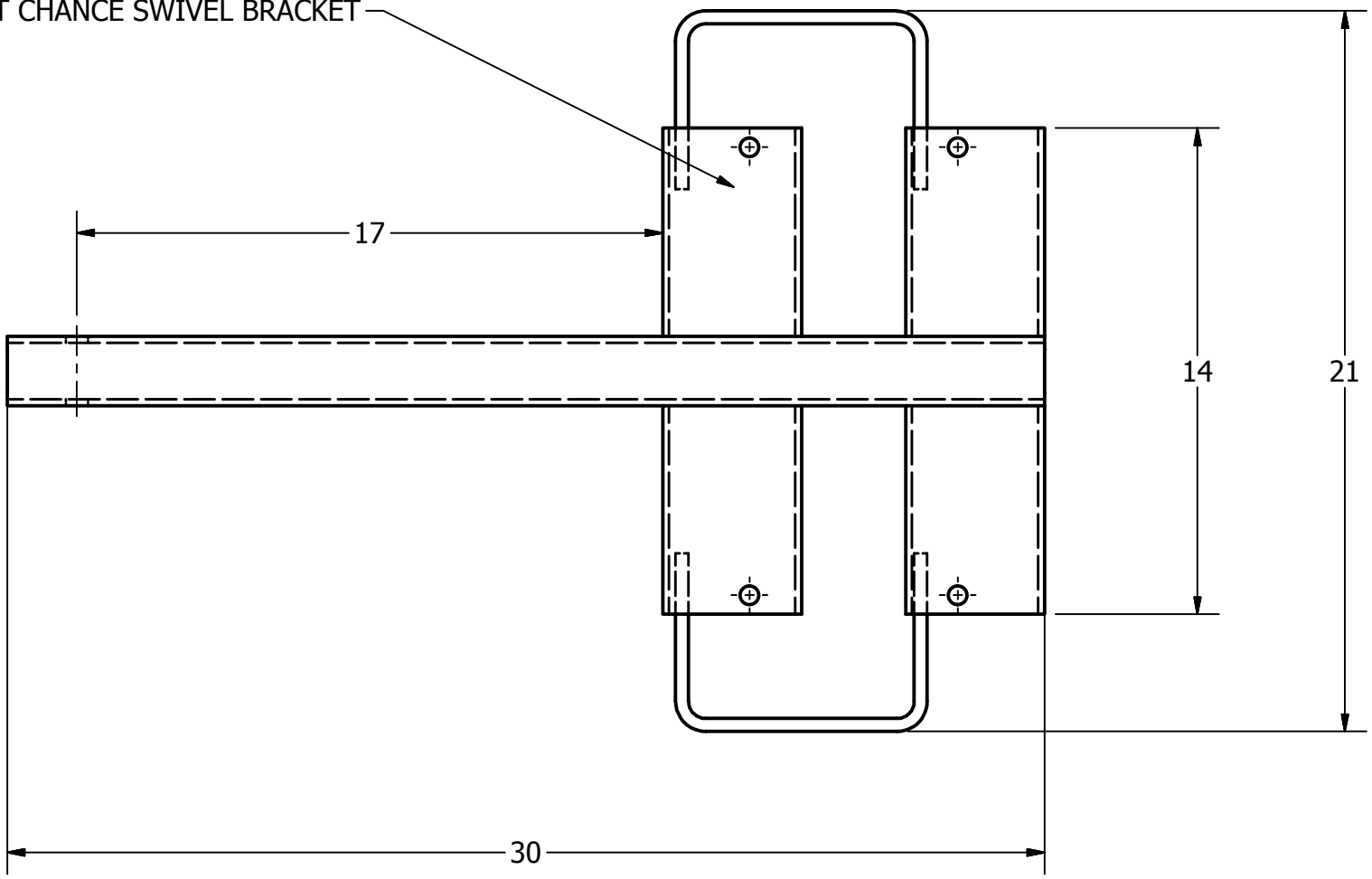
1

B

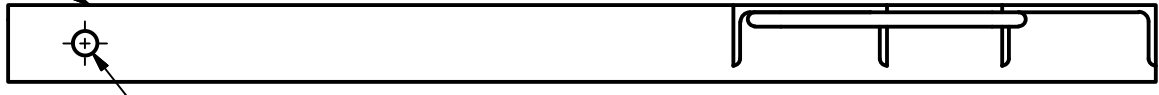
B

CATALOG NUMBER:  
**T3080999**

BOLT PATTERN TO FIT CHANCE SWIVEL BRACKET



2" X 2" STEEL TUBE



Ø.64

A

A

A

A

4

3

2

1

**CF** THIS SYMBOL IDENTIFIES CRITICAL FEATURES

<b>CHANCE</b> TOLERANCE CHART .X ± .060 FRAC ± 1/16 ANGLES ± 2° .XX ± .030 ADD DRAFT (UNLESS NOTED) .XXX ± .005 CASTING 3° FORGINGS 7°		HUBBELL POWER SYSTEMS, Inc. <small>POWER SYSTEMS, INC.</small>	
CONFIDENTIAL: THIS DRAWING AND ITS CONTACTS ARE CONFIDENTIAL AND THE EXCLUSIVE PROPERTY OF HUBBELL POWER SYSTEMS. NO PUBLICATION, DISTRIBUTION OR COPIES MAY BE MADE WITHOUT THE WRITTEN CONSENT OF HUBBELL POWER SYSTEMS. HUBBELL POWER SYSTEMS UNPUBLISHED ALL RIGHTS RESERVED UNDER THE COPYRIGHT LAWS		TITLE <b>HITCH BRACKET</b>	
SIZE <b>B</b>	DWG NO. <b>SA308-0999</b>	CAT / PART / ASSY NO. <b>T3080999</b>	REV -
DO NOT SCALE THIS DRAWING	DRN BY <b>ABT</b>	DATE <b>10/13/15</b>	SHEET <b>1 OF 1</b>